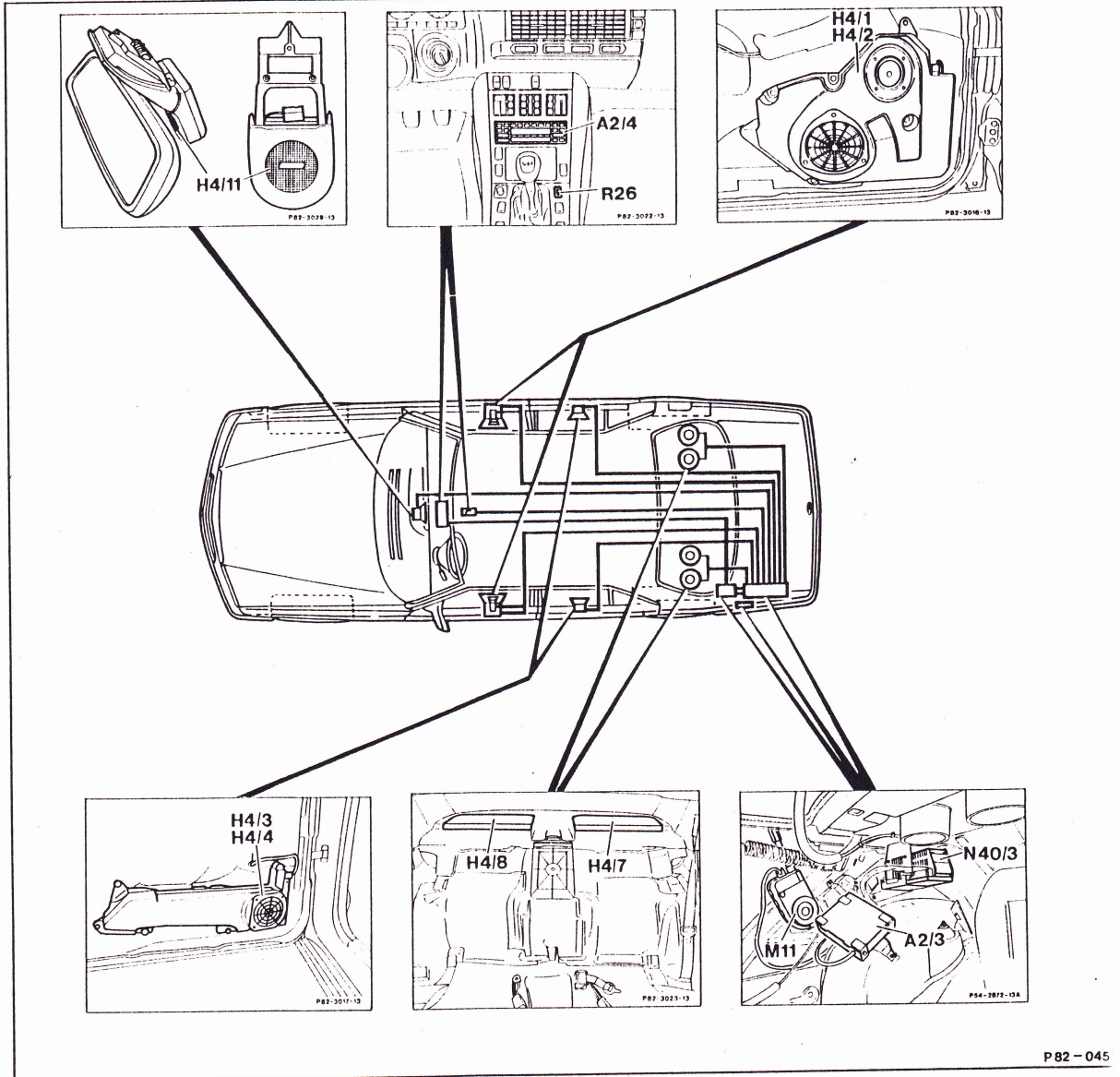


Arrangement of the Becker Mexico 2000 radio with Bose sound system and antenna



A2/3 Tuner and amplifier (trunk)
 A2/4 Radio control unit
 H4/1 Front left door speaker group
 H4/2 Front right door speaker group
 H4/3 Speaker, rear left door
 H4/4 Speaker, rear right door

H4/7 Speaker group, rear left
 H4/8 Speaker group, rear right
 H4/11 Speaker, front (base of mirror) Sound System
 M11 Automatic antenna
 N40/3 Amplifier (left/right speakers) control unit
 R26 Fader switch